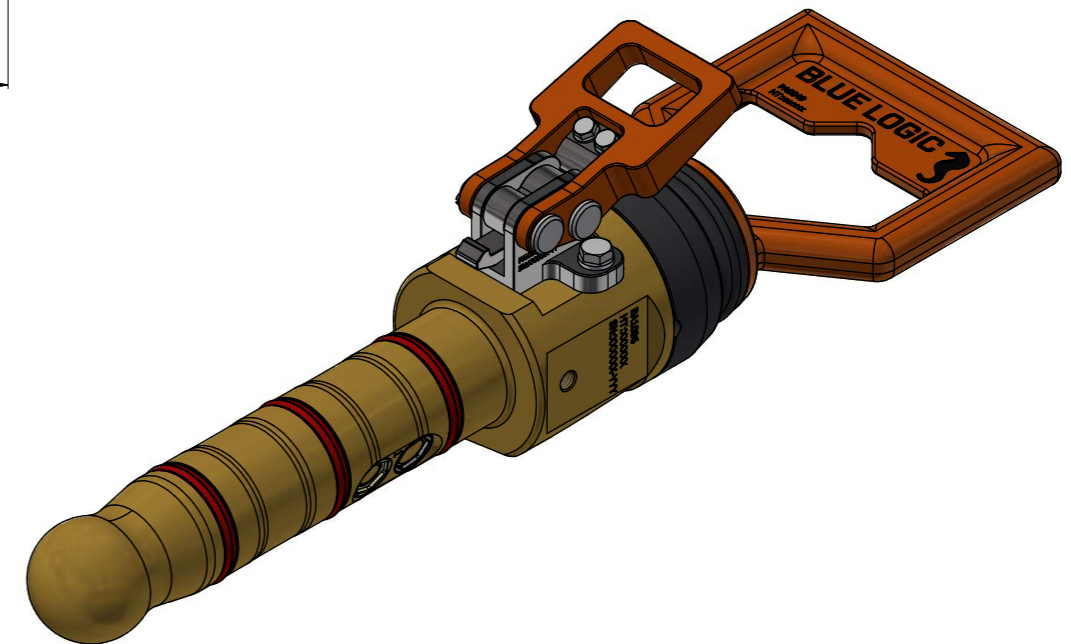
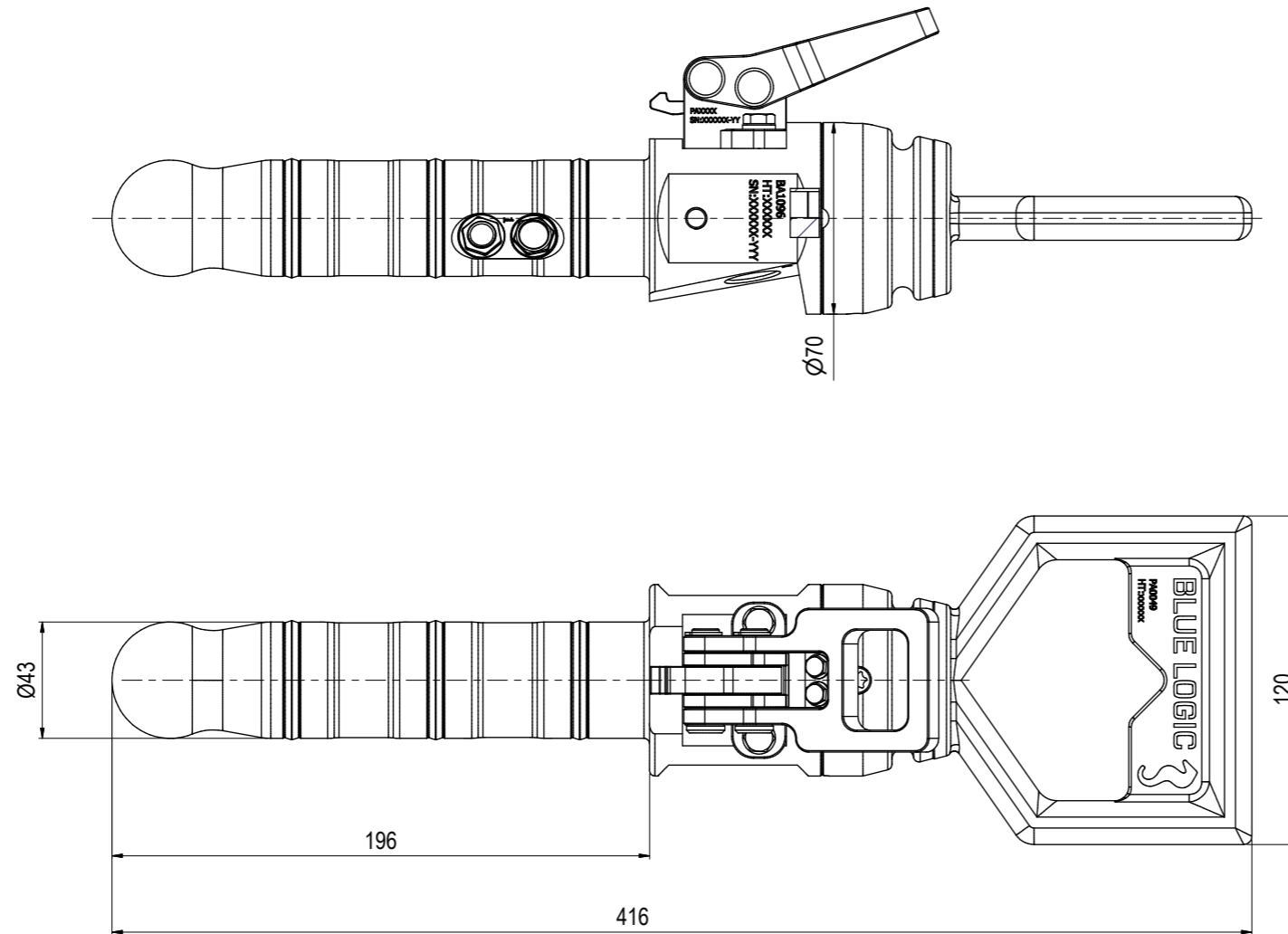


NOTE: 1
 DESIGN CODE:
 API 17H
 ISO 13628-8

NOTE: 2
 TECHNICAL CLASSIFICATION:
 Article Type: 001-Hot Stabs
 Main Group: 1.03. Ø43 Hot Stab
 Intermediate Group: 1.2.01. Stab
 Sub Group: 1.2.5.02. Dual

NOTE: 3
 INTERFACE INFORMATION:
 Pressure Rating Bar: 345
 Material: Intervention
 Weight: 4,7 kg
 Volume: 0,69 dm³
 Surface Area: 1659 cm²
 Hydraulic: 1/2" BSP
 Mechanical: N/A
 Electrical: N/A
 Com. & Protocol: N/A

NOTE: 4
 SPAREPARTS:
 BA5288



05	9.4.2026	9-IFU (Issued for Use)		WTJ	HNJ	WTJ
04	2.9.2015	9-IFU (Issued for Use)		WTJ	HNJ	WTJ
03	30.6.2015	9-IFU (Issued for Use)		WTJ	HNJ	WTJ
02	6.5.2014	9-IFU (Issued for Use)		WTJ	HNJ	WTJ
Rev.	Date	Reason for issue	Revision change	Made	Chk'd	Appr.



Dwg Scale:	NTS
Dwg Proj:	
Dwg Format:	A3

Drawing title:	Ø43 DP Stab 5k Interv wCV WL BSP 1/2" ID11mm
Drawing number:	BA1428